

GELAST EXCENTRISCH VERLOOPSTUK

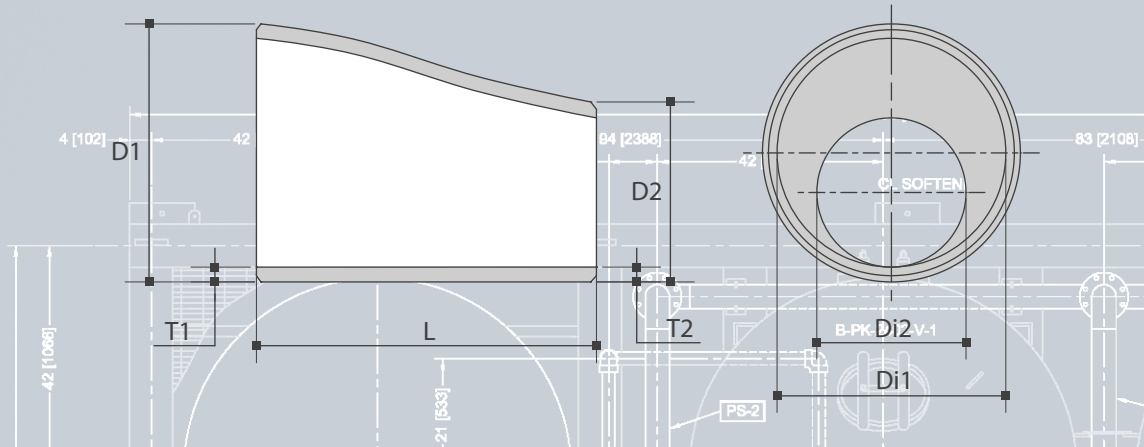
REDUCTION EXCENTRIQUE SOUDE

ASTM A 403

304 (L) EN 1.4301
EN 1.4307

316 (L) EN 1.4401
EN 1.4404

ASTM



D1	D2	D1	D2	T	T1	T2	Di1	Di2	L	kg/pc
inch	inch	mm	mm	SCH	mm	mm	mm	mm	mm	
3/4"	1/2"	26,67	21,34	S10	2,11	2,11	22,45	17,12	38,10	0,05
3/4"	1/2"	26,67	21,34	S40	2,87	2,77	20,93	15,80	38,10	0,07
1"	1/2"	33,40	21,34	S10	2,77	2,11	27,86	17,12	50,80	0,10
1"	1/2"	33,40	21,34	S40	3,38	2,77	26,64	15,80	50,80	0,12
1"	3/4"	33,40	26,67	S10	2,77	2,11	27,86	22,45	50,80	0,10
1"	3/4"	33,40	26,67	S40	3,38	2,87	26,64	20,93	50,80	0,12
1 1/4"	1/2"	42,16	21,34	S10	2,77	2,11	36,62	17,12	50,80	0,14
1 1/4"	1/2"	42,16	21,34	S40	3,56	2,77	35,04	15,80	50,80	0,18
1 1/4"	3/4"	42,16	26,67	S10	2,77	2,11	36,62	22,45	50,80	0,14
1 1/4"	3/4"	42,16	26,67	S40	3,56	2,87	35,04	20,93	50,80	0,18
1 1/4"	1"	42,16	33,40	S10	2,77	2,77	36,62	27,86	50,80	0,14
1 1/4"	1"	42,16	33,40	S40	3,56	3,38	35,04	26,64	50,80	0,18
1 1/2"	1/2"	48,26	21,34	S10	2,77	2,11	42,72	17,12	63,50	0,21
1 1/2"	1/2"	48,26	21,34	S40	3,68	2,77	40,90	15,80	63,50	0,28
1 1/2"	3/4"	48,26	26,67	S10	2,77	2,11	42,72	22,45	63,50	0,21
1 1/2"	3/4"	48,26	26,67	S40	3,68	2,87	40,90	20,93	63,50	0,28
1 1/2"	1"	48,26	33,40	S10	2,77	2,77	42,72	27,86	63,50	0,21
1 1/2"	1"	48,26	33,40	S40	3,68	3,38	40,90	26,64	63,50	0,28
1 1/2"	1 1/4"	48,26	42,16	S10	2,77	2,77	42,72	36,62	63,50	0,21
1 1/2"	1 1/4"	48,26	42,16	S40	3,68	3,56	40,90	35,04	63,50	0,28
2"	1/2"	60,33	21,34	S10	2,77	2,11	54,79	17,12	76,20	0,23
2"	1/2"	60,33	21,34	S40	3,91	2,77	52,51	15,80	76,20	0,28
2"	3/4"	60,33	26,67	S10	2,77	2,11	54,79	22,45	76,20	0,30
2"	3/4"	60,33	26,67	S40	3,91	2,77	52,51	21,13	76,20	0,42
2"	1"	60,33	33,40	S10	2,77	2,77	54,79	27,86	76,20	0,30
2"	1"	60,33	33,40	S40	3,91	3,38	52,51	26,64	76,20	0,42
2"	1 1/4"	60,33	42,16	S10	2,77	2,77	54,79	36,62	76,20	0,30
2"	1 1/4"	60,33	42,16	S40	3,91	3,56	52,51	35,04	76,20	0,42
2"	1 1/2"	60,33	48,26	S10	2,77	2,77	54,79	42,72	76,20	0,30
2"	1 1/2"	60,33	48,26	S40	3,91	3,68	52,51	40,90	76,20	0,42

art.n° 304(L)	art.n° 316(L)
2700402640	2701602640
2700402645	2701602645
2700403320	2701603320
2700403330	2701603330
2700403350	2701603350
2700403360	2701603360
2700403370	2701603370
2700403375	2701603375
2700404250	2701604250
2700404260	2701604260
2700404280	2701604265
2701604281	2701604280
2700404815	2701604815
2700404821	2701604820
2700404831	2701604830
2700404835	2701604835
2700404845	2701604845
2700404846	2701604846
2700404860	2701604859
2700404861	2701604860
2700406015	2701606015
2700406020	2701606020
2700406030	2701606030
2700406035	2701606035
2700406045	2701606045
2700406050	2701606050
2700406060	2701606060
2700406065	2701606065
2700406075	2701606075
2700406080	2701606080

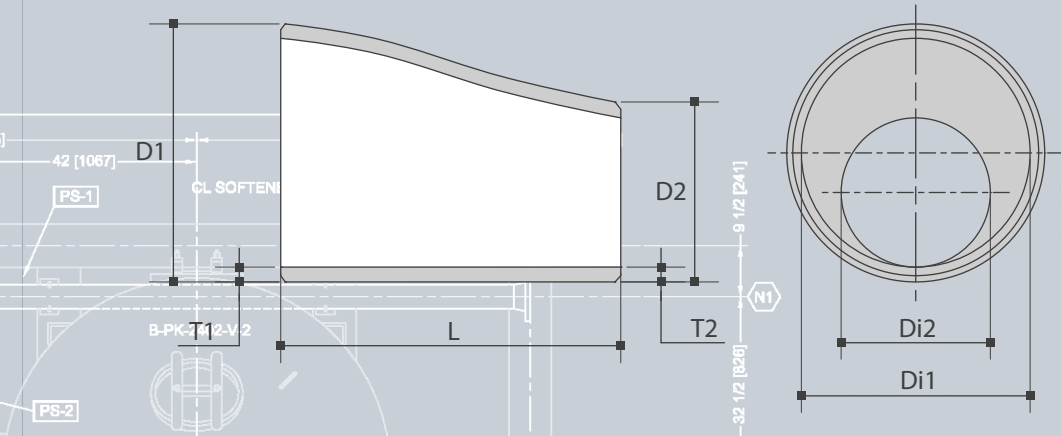
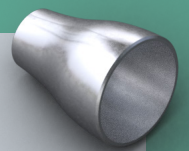
D1	D2	D1	D2	T	T1	T2	Di1	Di2	L	kg/pc
----	----	----	----	---	----	----	-----	-----	---	-------

REDUZIERUNG EXZENTRISCH GESCHWEISST

WELDED EXCENTRIC REDUCER

GELAST EXCENTRISCH VERLOOPSTUK
REDUCTION EXCENTRIQUE SOUDE

ASTM A 403



EN 1.4301
EN 1.4307
EN 1.4401
EN 1.4404

304 (L)

316 (L)

ASTM

D1	D2	D1	D2	T	T1	T2	Di1	Di2	L	kg/pc
inch	inch	mm ^{PS-10}	mm	SCH	mm ^{PS-10}	mm	mm	mm	mm	
2 1/2"	1"	73,03	33,40	S10	3,05	2,77	66,93	27,86	88,90	0,44
2 1/2"	1"	73,03	33,40	S40	5,16	3,38	62,71	26,64	88,90	0,74
2 1/2"	1 1/4"	73,03	42,16	S10	3,05	2,77	66,93	36,62	88,90	0,44
2 1/2"	1 1/4"	73,03	42,16	S40	5,16	3,56	62,71	35,04	88,90	0,74
2 1/2"	1 1/2"	73,03	48,26	S10	3,05	2,77	66,93	42,72	88,90	0,44
2 1/2"	1 1/2"	73,03	48,26	S40	5,16	3,68	62,71	40,90	88,90	0,74
2 1/2"	2"	73,03	60,33	S10	3,05	2,77	66,93	54,79	88,90	0,44
2 1/2"	2"	73,03	60,33	S40	5,16	3,91	62,71	52,51	88,90	0,74
3"	1"	88,90	33,40	S10	3,05	2,77	82,80	27,86	88,90	0,56
3"	1"	88,90	33,40	S40	5,49	3,38	77,92	26,64	88,90	1,01
3"	1 1/4"	88,90	42,16	S10	3,05	2,77	82,80	36,62	88,90	0,40
3"	1 1/4"	88,90	42,16	S40	5,49	3,56	77,92	35,04	88,90	0,78
3"	1 1/2"	88,90	48,26	S10	3,05	2,77	82,80	42,72	88,90	0,56
3"	1 1/2"	88,90	48,26	S40	5,49	3,68	77,92	40,90	88,90	1,01
3"	2"	88,90	60,33	S10	3,05	2,77	82,80	54,79	88,90	0,56
3"	2"	88,90	60,33	S40	5,49	3,91	77,92	52,51	88,90	1,01
3"	2 1/2"	88,90	73,03	S10	3,05	3,05	82,80	66,93	88,90	0,56
3"	2 1/2"	88,90	73,03	S40	5,49	5,16	77,92	62,71	88,90	1,01
4"	1 1/2"	114,30	48,26	S10	3,05	2,77	108,20	42,72	101,60	1,55
4"	1 1/2"	114,30	48,26	S40	6,02	3,68	102,26	40,90	101,60	3,06
4"	2"	114,30	60,33	S10	3,05	2,77	108,20	54,79	101,60	1,55
4"	2"	114,30	60,33	S40	6,02	3,91	102,26	52,51	101,60	3,06
4"	2 1/2"	114,30	73,03	S10	3,05	3,05	108,20	66,93	101,60	1,55
4"	2 1/2"	114,30	73,03	S40	6,02	5,16	102,26	62,71	101,60	3,06
4"	3"	114,30	88,90	S10	3,05	3,05	108,20	82,80	101,60	1,55
4"	3"	114,30	88,90	S40	6,02	5,49	102,26	77,92	101,60	3,06
5"	2"	141,30	60,33	S10	3,40	2,77	134,50	54,79	127,00	1,27
5"	2"	141,30	60,33	S40	6,55	3,91	128,20	52,51	127,00	2,44
5"	2 1/2"	141,30	73,03	S10	3,40	3,05	134,50	66,93	127,00	1,49
5"	2 1/2"	141,30	73,03	S40	6,55	5,16	128,20	62,71	127,00	2,19

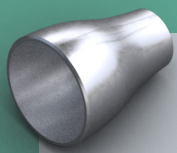
art.n° 304(L) art.n° 316(L)

2700406090	2701606090
2700406095	2701606095
2700407365	2701607365
2700407370	2701607370
2700407375	2701607375
2700407380	2701607380
2700407385	2701607385
2700407390	2701607390
2700408810	2701608810
2700408815	2701608815
2700408830	2701608830
2700408835	2701608835
2700408845	2701608845
2700408850	2701608850
2700408860	2701608860
2700408865	2701608865
2700408870	2701608870
2700408875	2701608875
2700411435	2701611435
2700411440	2701611440
2700411450	2701611450
2700411455	2701611455
2700411460	2701611460
2700411465	2701611465
2700411480	2701611480
2700411485	2701611485
2700414120	2701614120
2700414125	2701614125
2700414130	2701614130
2700414135	2701614135

D1	D2	D1	D2	T	T1	T2	Di1	Di2	L	kg/pc
----	----	----	----	---	----	----	-----	-----	---	-------

REDUZIERUNG EXZENTRISCH GESCHWEISST

WELDED EXCENTRIC REDUCER



GELAST EXCENTRISCH VERLOOPSTUK

REDUCTION EXCENTRIQUE SOUDE

ASTM A 403

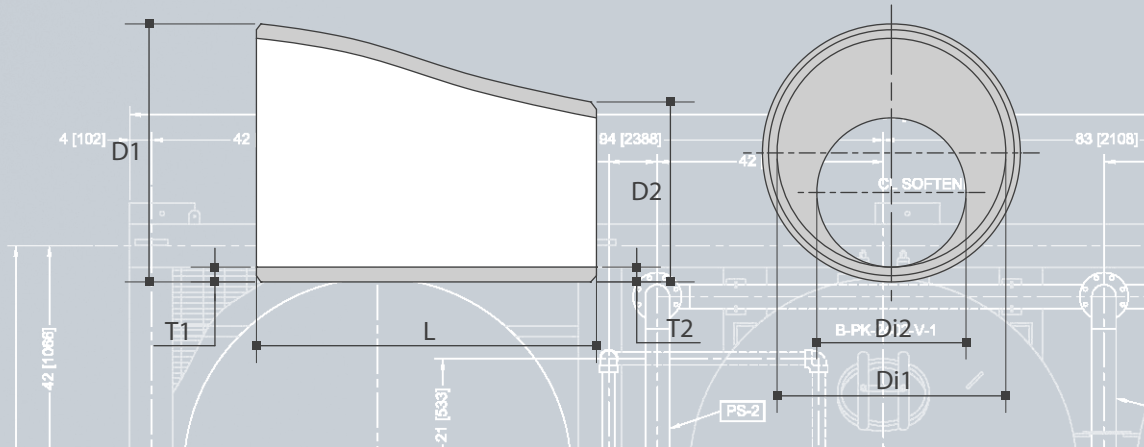
304 (L)

EN 1.4301
EN 1.4307

316 (L)

EN 1.4401
EN 1.4404

ASTM



art.n° 304(L) art.n° 316(L)

D1	D2	D1	D2	T	T1	T2	Di1	Di2	L	kg/pc
inch	inch	mm	mm	SCH	mm	mm	mm	mm	mm	
5"	3"	141,30	88,90	S10	3,40	3,05	134,50	82,80	127,00	1,55
5"	3"	141,30	88,90	S40	6,55	5,49	128,20	77,92	127,00	2,99
5"	4"	141,30	114,30	S10	3,40	3,05	134,50	108,20	127,00	1,55
5"	4"	141,30	114,30	S40	6,55	6,02	128,20	102,26	127,00	2,99
6"	3"	168,30	88,90	S10	3,40	3,05	161,50	82,80	140,00	1,55
6"	3"	168,30	88,90	S40	7,11	5,49	154,08	77,92	140,00	3,24
6"	4"	168,30	114,30	S10	3,40	3,05	161,50	108,20	140,00	1,55
6"	4"	168,30	114,30	S40	7,11	6,02	154,08	102,26	140,00	3,24
6"	5"	168,30	141,30	S10	3,40	3,40	161,50	134,50	140,00	1,55
6"	5"	168,30	141,30	S40	7,11	6,55	154,08	128,20	140,00	3,24
8"	4"	219,10	114,30	S10	3,76	3,05	211,58	108,20	152,00	3,07
8"	4"	219,10	114,30	S40	8,18	6,02	202,74	102,26	152,00	6,68
8"	5"	219,10	141,30	S10	3,76	3,40	211,58	134,50	152,00	3,07
8"	5"	219,10	141,30	S40	8,18	6,55	202,74	128,20	152,00	6,68
8"	6"	219,10	168,30	S10	3,76	3,40	211,58	161,50	152,00	3,07
8"	6"	219,10	168,30	S40	8,18	7,11	202,74	154,08	152,00	6,68
10"	6"	273,05	168,30	S10	4,19	3,40	264,67	161,50	178,00	5,00
10"	6"	273,05	168,30	S40	9,27	7,11	254,51	154,08	178,00	11,06
10"	8"	273,05	219,10	S10	4,19	3,76	264,67	211,58	178,00	5,00
10"	8"	273,05	219,10	S40	9,27	8,18	254,51	202,74	178,00	11,06
12"	6"	323,85	168,30	S10	4,57	3,40	314,71	161,50	203,00	5,00
12"	6"	323,85	168,30	S40	9,53	7,11	304,79	154,08	203,00	10,43
12"	8"	323,85	219,10	S10	4,57	3,76	314,71	211,58	203,00	7,43
12"	8"	323,85	219,10	S40	9,53	8,18	304,79	202,74	203,00	15,49
12"	10"	323,85	273,05	S10	4,57	4,19	314,71	264,67	203,00	7,43
12"	10"	323,85	273,05	S40	9,53	9,27	304,79	254,51	203,00	15,49
14"	8"	355,60	219,10	S10	4,78	3,76	346,04	211,58	330,00	13,84
14"	8"	355,60	219,10	S40	9,53	8,18	336,54	202,74	330,00	27,59
14"	10"	355,60	273,05	S10	4,78	4,19	346,04	264,67	330,00	13,84
14"	10"	355,60	273,05	S40	9,53	9,27	336,54	254,51	330,00	27,59

art.n° 304(L)	art.n° 316(L)
2700414140	2701614140
2700414145	2701614145
2700414160	2701614160
2700414165	2701614165
2700416830	2701616830
2700416835	2701616835
2700416850	2701616850
2700416855	2701616855
2700416875	2701616875
2700416880	2701616880
2700421940	2701621940
2700421945	2701621945
2700421955	2701621955
2700421960	2701621960
2700421985	2701621985
2700421990	2701621990
2700427340	2701627340
2700427345	2701627345
2700427380	2701627380
2700427385	2701627385
2700432340	2701632340
2700432345	2701632345
2700432360	2701632360
2700432365	2701632365
2700432385	2701632385
2700432390	2701632390
2700435542	2701635542
2700435545	2701635545
2700435573	2701635573
2700435574	2701635574

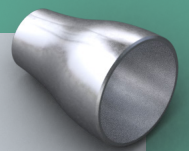
D1	D2	D1	D2	T	T1	T2	Di1	Di2	L	kg/pc
----	----	----	----	---	----	----	-----	-----	---	-------

REDUZIERUNG EXZENTRISCH GESCHWEISST

WELDED EXCENTRIC REDUCER

GELAST EXCENTRISCH VERLOOPSTUK
REDUCTION EXCENTRIQUE SOUDE

ASTM A 403



EN 1.4301
EN 1.4307
EN 1.4401
EN 1.4404

304 (L)

316 (L)

ASTM

art.n° 304(L)

art.n° 316(L)

D1	D2	D1	D2	T	T1	T2	Di1	Di2	L	kg/pc
inch	inch	mm ^{PS-10}	mm	SCH	mm ^{PS-10}	mm	mm	mm	mm	
14"	12"	355,60	323,85	S10	4,78	4,57	346,04	314,71	330,00	13,84
14"	12"	355,60	323,85	S40	9,53	9,53	336,54	304,79	330,00	27,59
16"	8"	406,40	219,10	S10	3,75	4,78	398,90	209,54	356,00	36,81
16"	8"	406,40	219,10	S40	8,18	9,53	390,04	200,04	356,00	73,62
16"	10"	406,40	273,05	S10	4,78	4,19	396,84	264,67	356,00	16,76
16"	10"	406,40	273,05	S40	9,53	9,27	387,34	254,51	356,00	33,41
16"	12"	406,40	323,85	S10	4,78	4,57	396,84	314,71	356,00	16,76
16"	12"	406,40	323,85	S40	9,53	9,53	387,34	304,79	356,00	33,41
16"	14"	406,40	355,60	S10	4,78	4,78	396,84	346,04	356,00	16,76
16"	14"	406,40	355,60	S40	9,53	9,53	387,34	336,54	356,00	33,41
20"	12"	508,00	323,85	S10	4,57	5,54	498,86	312,77	508,00	71,50
20"	12"	508,00	323,85	S40	9,53	9,53	488,94	304,79	508,00	143,0
20"	14"	508,00	355,60	S10	5,54	4,78	496,92	346,04	508,00	36,41
20"	14"	508,00	355,60	S40	9,53	9,53	488,94	336,54	508,00	62,63
20"	16"	508,00	406,40	S10	5,54	4,78	496,92	396,84	508,00	36,41
20"	16"	508,00	406,40	S40	9,53	9,53	488,94	387,34	508,00	62,63
20"	18"	508,00	457,20	S10	5,54	4,78	496,92	447,64	508,00	36,41
20"	18"	508,00	457,20	S40	9,53	9,53	488,94	438,14	508,00	62,63
24"	18"	609,60	457,20	S10	6,35	4,78	596,90	447,64	508,00	51,47
24"	18"	609,60	457,20	S40	9,53	9,53	590,54	438,14	508,00	77,25

2700435575	2701635575
2700435580	2701635580
2700440640	2701640640
2700440645	2701640645
2700440650	2701640650
2700440655	2701640655
2700440685	2701640685
2700440687	2701640687
2700440688	2701640688
2700440690	2701640690
2700450860	2701650860
2700450865	2701650865
2700450878	2701650878
2700450879	2701650879
2700450880	2701650880
2700450885	2701650885
2700450890	2701650890
2700450895	2701650895
2700460910	2701660910
2700460915	2701660915

ASTM A 403 WPW

REDUZIERUNG EXZENTRISCH GESCHWEISST

WELDED EXCENTRIC REDUCER